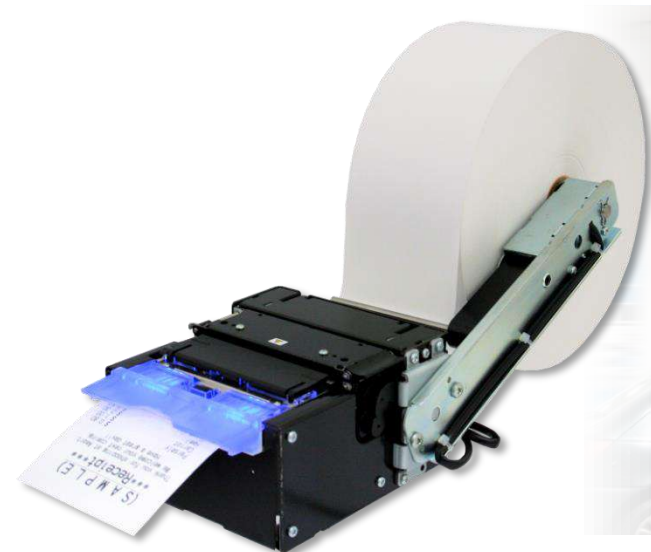
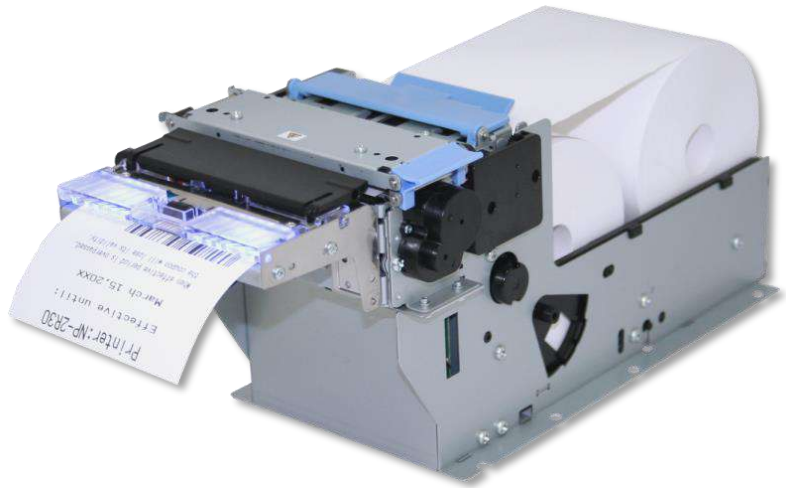


NP is the world brand of kiosk printer

PRODUCTS GUIDE 2021 EDITION

KIOSK PRINTER
PRINTER MODULE
DESKTOP PRINTER
PORTABLE PRINTER



NIPPON PRIMEX INC.

Kiosk Printer Matrix

●: Standard ○: Option

Receipt Printer

Model name	Page	Voltage (DC)	Power supply (Option)	Auto cutter	Presenter	LED bezel	Large roll paper	Thick paper	Interface		
									USB	RS232C	Parallel
NP-K2011R	2	5-8.5V	—	—	—	—	—	—	—	●	—
NP-K2012R	2	5-8.5V	—	●	—	—	—	—	—	●	—
NP-K2042DM	2	12V	—	●	—	—	—	—	●	●	—
NP-K3042D	2	24V	PS-11-x2	●	—	—	—	—	●	●	—
NP-K2052D/K3052D	2	24V	PS-11-x2	●	—	—	—	—	●	●	—
NP-K2053D/K3053D	2	24V	PS-11-x2	●	●	—	—	—	●	●	—
NP-2411D/3411D	3	24V	PS-11-x2	●	○	○	○	●	●	●	—
NP-2511D/3511D	3	24V	PS-11-x	●	○	○	○	●	●	●	—
NP-2611AD/3611AD	4	24V	PS-11-x	●	○	○	○	●	●	●	—
NP-2611BD/3611BD	4	24V	PS-11-x	●	○	○	●	●	●	●	—
NP-2651D/3651D	4	24V	PS-11-x	●	—	—	●	●	●	●	—
NP-3911D/3911E	5	24V	PS-11-x2	●	○	○	○	●	●	●	—
NP-4511D	5	24V	PS-11-x	●	○	—	○	●	●	●	—
NP-3A11UK	6	24V	PS-11-x2	●	○	—	○	●	●	—	—
NP-3B11U	6	24V	PS-11-x2	●	—	—	○	●	●	—	—
NP-3C11D	6	24V	PS-11-x2	●	—	○	—	●	●	—	—
NP-G30D	7	24V	PS-11-x3	●	●	—	○	●	●	●	—
NP-KV20U, NP-KV30U	8	24V	PS-11-x2	●	—	—	○	●	●	●	—
NP-KV20D/B, NP-KV30D/B*1	8	24V	PS-11-x2	●	○	○	○	●	●	●	—
NP-2R20D/2R30D	9	24V	PS-11-x	●	●	—	—	—	●	●	—
NP-K207U	10	24V	PS-11-x2	●	—	—	—	—	●	—	—
NP-2701D	10	24V	PS-11-x2	●	—	—	—	—	●	●	—
NP-2705D	10	24V	PS-11-x2	●	—	—	—	—	●	●	—

Ticket Printer

Model name	Page	Voltage (DC)	Power supply (Option)	Auto cutter	Presenter	LED Bezel	Large roll paper	Thick paper	Interface		
									USB	RS232C	Parallel
NP-3512D/3513D	10	24V	PS-11-x	●	—	○	—	●	●	—	—

Face Mount Printer

Model name	Page	Voltage (DC)	Power supply (Option)	Auto cutter	Presenter	LED Bezel	Large roll paper	Thick paper	Interface		
									USB	RS232C	Parallel
NP-F2092D	11	12V	—	●	—	—	—	—	●	●	—
NP-F3092D	11	24V	PS-11-x2	●	—	—	●	—	●	●	—
NP-F3692D	11	24V	PS-11-x2	●	○	○	●	●	●	●	—

Journal Printer

Model name	Page	Voltage (DC)	Power supply (Option)	Auto cutter	Presenter	LED bezel	Large roll paper	Thick paper	Interface		
									USB	RS232C	Parallel
NP-J312D	12	24V	PS-11-x2	—	—	—	—	—	●	●	—
NP-2551D/3551D	12	24V	PS-11-x	—	—	—	—	—	●	●	—

Panel Mount Printer

Model name	Page	Voltage (DC)	Power supply (Option)	Auto cutter	Presenter	LED bezel	Large roll paper	Thick paper	Interface		
									USB	RS232C	Parallel
NP-P2081D	13	5V-9V	PS-13*2	—	—	—	—	—	●	●	—
NP-P2061M	13	5V-8.5V	PS-13	—	—	—	—	—	●	●	●
NP-P2062M	13	5V-8.5V	PS-13	●	—	—	—	—	●	●	●
NP-P20AR	13	5V-8.5V	—	—	—	—	—	—	—	●	—

*1. Bluetooth interface is also equipped with NP-KV20BM/BK and NP-KV30BM/BK.

*2. PS-13 can be used by attaching an optional 2 pin converter.

NP-K2011R / NP-K2012R

Smallest Printer Module



- Low price, all in one printer module
- Mechanism, auto cutter, control board and interface are built-in.
- Easy paper loading by patent platen cover

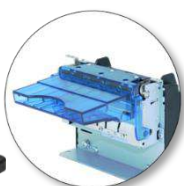
NP-K2012R

Model name	NP-K2011R	NP-K2012R
Print method	Direct line thermal dot	
Print speed	Max. 50mm / sec.	
Resolution	8 dots / mm (203 dpi)	
Number of dots / line	384 dots	
Paper width / Print width / Paper diameter	58mm / 48mm / Max. φ80mm	
Character	International and Japanese	
Barcode	UPC-A, UPC-E, EAN-13, EAN-8, CODE39, ITF, CODABAR, CODE128	
Interface	Serial (RS232C)	
Cutter	Tear bar	Auto cutter
Operating voltage	DC5~8.5V, DC5V (circuit voltage)	
External dimensions	81.9(W) x 55.5(D) x 39.4(H)mm	

Receipt Printers

NP-K2042D / NP-K3042D

Small height, depth and footprint



Bezel (BEZ-520) is an option for NP-K2042D.

NP-K2042D



NP-K3042D

- Low price, super compact kiosk printer
- Easy paper loading by patent platen cover
- Paper jam free
- Optional paper near end sensor is attachable.

Model name	NP-K2042DM	NP-K3042D
Print method	Direct line thermal dot	
Print speed	Max. 100mm / sec.	Max. 150mm / sec.
Resolution	8 dots / mm (203 dpi)	
Number of dots / line	384 dots	576 dots
Paper width / Print width / Paper diameter	58mm / 48mm / Max. φ80mm	80mm / 72mm / Max. φ80mm
Character	International, Japanese, Polish, Russian, Scandinavian, Turkish	
Barcode	UPC-A, UPC-E, EAN-13, EAN-8, CODE39, ITF, CODABAR, CODE128, CODE93, GS1 DataBar, QR Code (model2)	
Interface	USB (V2.0 full speed) and Serial (RS232C)	
Cutter	Full cut and partial cut by the command	
Operating voltage	DC12V	DC24V
External dimensions	86(W) x 132.5(D) x 70(H)mm	114(W) x 132.5(D) x 70(H)mm

NP-K2052D / NP-K2053D NP-K3052D / NP-K3053D

Revolutionary drop-in type

- Realizing only **88.6mm** height with outer diameter 80mm roll paper loaded
- High speed printing up to **150mm/sec.**
- NP-K2053D/NP-K3053D is equipped with a simple presenter as standard equipment.



Bezel (BEZ-520) is an option for NP-K2052D.

NP-K2052D



NP-K3053D

Model name	NP-K2052D	NP-K2053D	NP-K3052D	NP-K3053D
Print method	Direct line thermal dot		Direct line thermal dot	
Print speed	Max. 150mm / sec.		Max. 150mm / sec.	
Resolution	8 dots / mm (203 dpi)		8 dots / mm (203 dpi)	
Number of dots / line	432 dots		576 dots	
Paper width / Print width / Paper diameter	58mm / 54mm / Max. φ80mm		80mm / 72mm / Max. φ80mm	
Character	International, Japanese, Polish, Russian, Scandinavian, Turkish			
Barcode	UPC-A, UPC-E, EAN-13, EAN-8, CODE39, ITF, CODABAR, CODE128, CODE93, GS1 DataBar, QR Code (model2)			
Interface	USB (V2.0 full speed) and Serial (RS232C)			
Cutter	Full cut /partial cut by command	Full cut	Full cut /partial cut by the command	Full cut
Operating voltage	DC24V		DC24V	
External dimensions	91.1(W) x 133.4(D) x 88.6(H)mm	91.1(W) x 167.7(D) x 88.6(H)mm	111.1(W) x 133.4(D) x 88.6(H)mm	111.1(W) x 167.7(D) x 88.6(H)mm

NP-2411D / NP-3411D

Lock-free Cutter

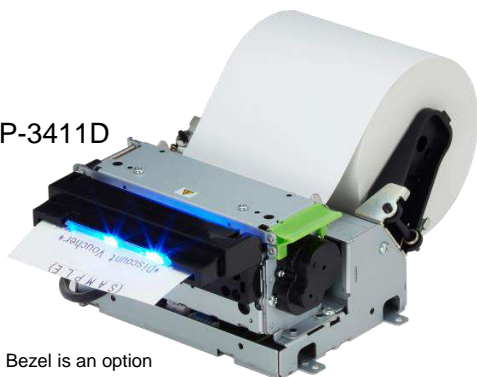
Thick Paper

NP-2411D



*LED Bezel is an option

NP-3411D



*LED Bezel is an option

Small-footprint

- Lock-free cutter
- Operating temperature : -15°C ~ 60°C
- Paper thickness: 59~150µm
- High speed printing up to 150mm/sec.
- Optional LED Bezel is attachable.

Model name	NP-2411D		NP-3411D	
Print method	Direct line thermal dot			
Print speed	Max. 150mm / sec.			
Resolution	8 dots/mm (203 dpi)			
Number of dots / line	416 dots (Default)	432 dots	576 dots (Default)	560 dots
Paper width	58mm (Default)	60mm	80mm (Default)	76mm
Print width	52mm (Default)	54mm	72mm (Default)	69mm
Paper diameter	Max. φ83mm			
Character	International, English, Greek, Polish, Russian, Scandinavian, Turkish, Chinese, Korean, Japanese			
Barcode	UPC-A, UPC-E, EAN-13, EAN-8, CODE39, ITF, CODABAR, CODE128, QR Code (model2)			
Interface	USB (V2.0 full speed) and Serial (RS232C)			
Cutter	Full cut and partial cut by the command			
Operating voltage	DC24V			
External dimensions	103.6(W) x 123.5(D) x 77.3(H)mm		124.6(W) x 123.5(D) x 77.3(H)mm	

NP-2511D / NP-3511D

High speed

Lock-free Cutter

Thick Paper

NP-2511D



*LED Bezel is an option

NP-3511D



*LED Bezel is an option

Print speed : Max. 200mm/sec.

Operating temperature : -20°C~60°C

- 16 gray scale printing
- 2D barcode printing (QR code (model2), PDF417)
- Lock-free cutter
- Paper thickness : 59 ~ 150µm
- Optional LED Bezel is attachable.

Model name	NP-2511D-2			NP-3511D-2		
Print method	Direct line thermal dot					
Print speed	Max. 200mm / sec.					
Resolution	8 dots / mm (203 dpi)					
Number of dots/ line	416 dots (Default)	432 dots	448 dots	576 dots (Default)	560 dots	640 dots
Paper width	58mm (Default)	60mm	60mm	80mm (Default)	76mm	80mm
Print width	52mm (Default)	54mm	56mm (Max.)	72mm (Default)	70mm	80mm (Max.)
Paper diameter	Max. φ83mm					
Character	International, English, Greek, Polish, Russian, Scandinavian, Turkish, Chinese, Japanese					
Barcode	UPC-A, UPC-E, EAN-13, EAN-8, CODE39, ITF, CODABAR, CODE128, QR code (model2), PDF417					
Interface	USB (V2.0 full speed) and Serial (RS232C)					
Cutter	Full cut and partial cut by the command					
Operating voltage	DC24V					
External dimensions	106(W) x 150(D) x 75(H)mm			127(W) x 150(D) x 75(H)mm		

NP-2611AD / NP-3611AD NP-2611BD / NP-3611BD

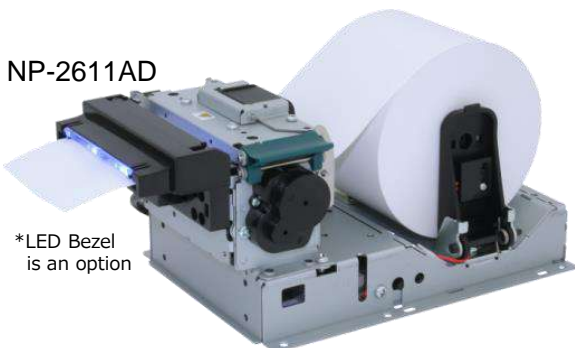
**Print speed : Max. 250mm/sec.
16 gray scale printing**

High speed

Lock-free Cutter

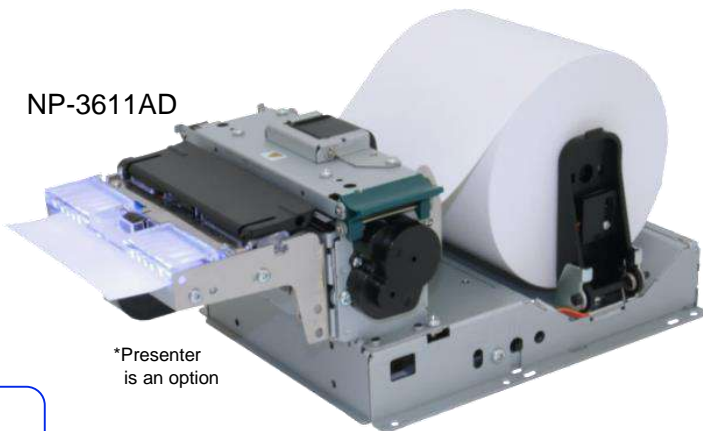
Thick Paper

NP-2611AD



*LED Bezel is an option

NP-3611AD

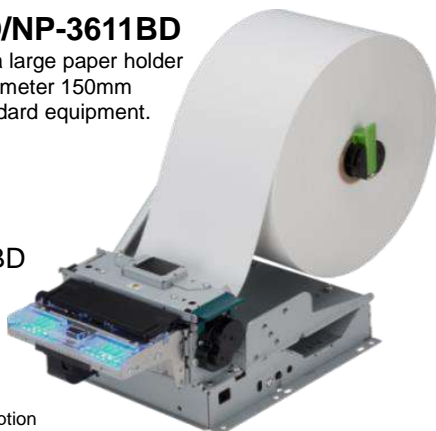


*Presenter is an option

NP-2611BD/NP-3611BD

is equipped with a large paper holder for up to outer diameter 150mm roll paper as standard equipment.

NP-3611BD



*Presenter is an option



NP-2651D / NP-3651D

Label printing is supported.

Model name	NP-2611AD-3	NP-2611BD-3	NP-2651D	NP-3611AD-3	NP-3611BD-3	NP-3651D
Print method	Direct Line thermal dot					
Print speed	Max.250mm / sec.		Max.100mm / sec.	Max.250mm / sec.		Max.100mm / sec.
Resolution	8 dots / mm (203 dpi)					
Gray scale printing	16 gray scale		-	16 gray scale		-
Number of dots / line	416 dots (Default) / 432 dots / 448 dots			576 dots (Default) / 560 dots / 640 dots		
Paper width	58mm (Default) / 60mm			80mm (Default) / 76mm		
Print width	52mm (Default) / 54mm / 56mm (Max.)			72mm (Default) / 70mm / 80mm (Max.)		
Paper diameter	Max. φ83mm	Max. φ150mm		Max. φ83mm	Max. φ150mm	
Character	International, English, Greek, Polish, Russian, Scandinavian, Turkish, Chinese, Korean, Japanese					
Barcode	UPC-A, UPC-E, EAN-13, EAN-8, CODE39, ITF, CODABAR, CODE128, QR Code (model2), PDF417					
Interface	USB(V2.0 full speed) and Serial(RS232C)					
Cutter	Full cut and partial cut by the command					
Operating voltage	DC24V					
External dimensions	106(W) x 150(D) x 80.2(H)mm	106(W) x 171(D) x 129(H)mm		127(W) x 150(D) x 80.2(H)mm	127(W) x 171(D) x 129(H)mm	

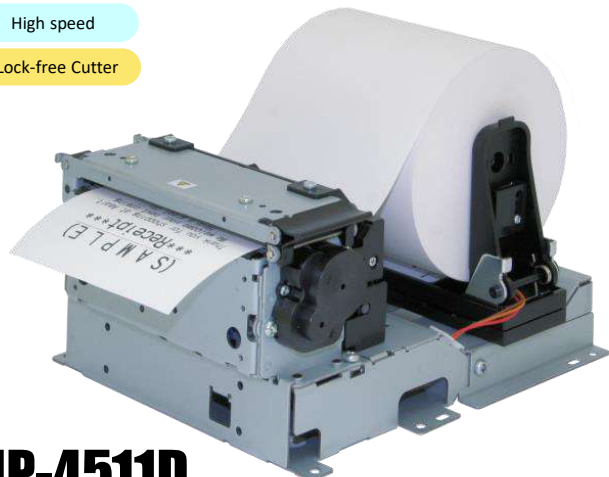
NP-3911D / NP-3911E

Mega font

Thick Paper

High speed

Lock-free Cutter



**Print speed : Max. 200mm/sec.
16 gray scale printing**

**Paper width adjustable (53~82.5mm)
NP-3911E is available for
ethernet connection.**



Paper width adjustable

NP-4511D

4 inch receipt printer

Mega font

Thick Paper

High speed

Lock-free Cutter

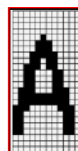
LED presenter NPT-409
is an option.



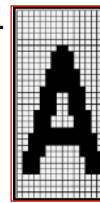
Bezel, BEZ-241
is an option.

Mega font

We newly introduce **Mega font** at default setting to provide for maximizing the legibility of printed receipt / ticket.



Standard font
24x12dots
Height=3mm



Mega font
32x16dots
Height=4mm

!"#\$%&'()*+,-./0123456789:;<=>?@ABCDEFGHIJKLMNO
PQRSTUVWXYZ[¥]^_`abcdefghijklmnopqrstuvwxy{|}~
!"#\$%&'()*+,-./0123456789:;<=>?@ABC
DEFGHIJKLMNOPQRSTUVWXYZ[¥]^_`abcdefghijklmnop

An example of the receipt. (Paper width 80mm)

Model name	NP-4511D	NP-3911D	NP-3911E
Print method	Direct line thermal dots		
Print speed	Max. 150mm / sec.	Max. 200mm / sec.	
Resolution	8 dots / mm (203 dpi)		
Gray scale printing	16 gray scale		
Number of dots / line	832 dots	640 dots (Max.)	
Paper width	112mm	53 ~ 82.5mm adjustable (changeable by 11 steps)	
Print width	104mm	80mm (Max.)	
Paper diameter	Max. φ83mm		
Character	International, English, Korean, Chinese, Greek, Polish ,Russian , Scandinavian, Turkish, Japanese		
Barcode	UPC-A, UPC-E, EAN-13, EAN-8, CODE39, CODE93,ITF, CODABAR, CODE128, GS1 DataBar, PDF417, QR code (model2), Linked QR code (model2), Micro QR code		
Interface	USB (V2.0 full speed) and Serial (RS232C)		Ethernet
Cutter	Full cut and partial cut by the command		
Operating voltage	DC24V		
External dimensions	159.7 (W) x 150.6(D) x 84(H)mm	127(W) x 150.4(D) x 85.1(H) mm	

NEW MODEL

NP-3A11UK / NP-3B11U

300 dpi

Mega font

Thick Paper

Lock-free Cutter

High resolution 300dpi printing
Paper width adjustable (53~86mm)
Paper thickness : 59-150µm _ NP-3A11UK
: 120-250µm_ NP-3B11U

NP-3A11UK



LED Presenter
 NPT-308LL is an option.



Paper width adjustable

NP-3B11U is available for label printing.



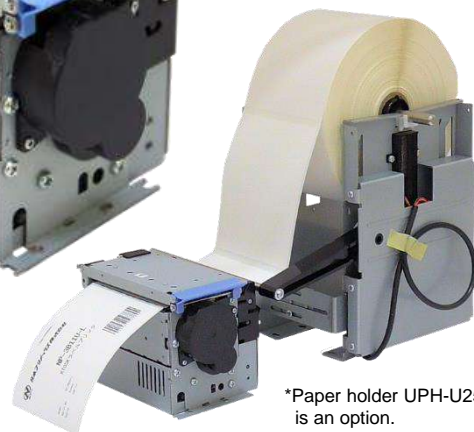
Paper width : 58mm



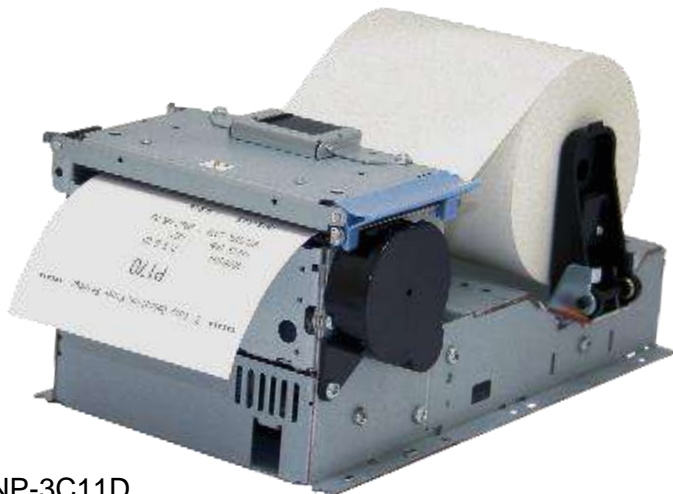
Paper width : 80mm



NP-3B11U



*Paper holder UPH-U250 is an option.



NP-3C11D

NP-3C11D

Thick Paper

Lock-free Cutter

Mega font

Super high speed KIOSK Printer
Print speed : Max 350mm/sec.

Model name	NP-3A11UK	NP-3B11U	NP-3C11D
Print method	Direct line thermal dot		
Print speed	MAX. 150 mm / sec		MAX. 350 mm / sec
Resolution	11.8 dots / mm (300 dpi)		8 dots / mm (203 dpi)
Number of dots / line	960 dots		640 dots
Paper width	53 ~ 86mm adjustable		76 / 80 / 82.5mm
Paper thickness	59~150µm	120 ~ 250µm	59 ~ 150µm
Print width	81.3mm (Max.)		80mm
Character	International, English, Greek, Polish, Russian, Scandinavian, Turkish, Chinese, Korean, Japanese		
Barcode	UPC-A, UPC-E, EAN-13, EAN-8, CODE39, ITF, CODABAR, CODE128, CODE93, QR code (model 2), PDF417		
Interface	USB (V2.0 Full speed)		USB (V2.0 full speed) and Serial(RS232C)
Auto-cutter	Full cut and partial cut by the command	Full cut	Full cut and partial cut by the command
Operating voltage	DC24V		
External dimensions	123.7(W) x 187.6(D) x 87.4(H)mm	120.5(W) x 76.1(D) x 83.5(H)mm	117.8(W) x 187.5(D) x 88.5(H)mm

NP-G30D

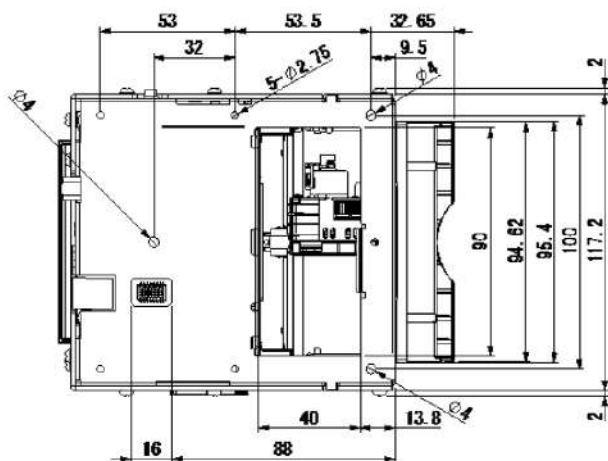
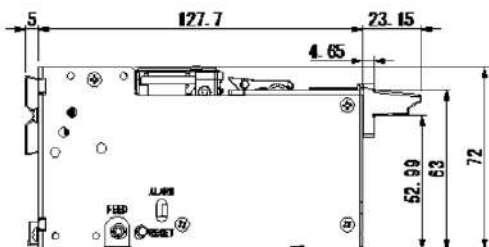
Mega font

Lock-free Cutter

High speed

Thick Paper

Solid and durable structure
Built-in LED presenter
16 gray scale printing



Optional paper arms

UPH-Arm200: 200mm O.D.

UPH-Arm150: 150mm O.D.



UPH-Arm200



UPH-Arm150

Model name	NP-G30D		
Print method	Direct line thermal dots		
Print speed	Max. 200mm / sec.		
Resolution	8 dots / mm (203 dpi)		
Gray scale printing	16 gray scale		
Number of dots / line	576 dots		592 dots
Paper width	80mm		82.5mm
Print width	72mm		80mm
Paper diameter	Max. ϕ 200mm (When using option paper arm UPH-Arm200)		
Character	International, English, Greek, Polish, Russian, Scandinavian, Turkish, Japanese		
Barcode	UPC-A, UPC-E, EAN-13, EAN-8, CODE39, ITF, CODABAR, CODE128, CODE93, GS1 DataBar, PFD417, QR code (model2), Linked QR code (model2), Micro QR code		
Interface	USB(V2.0 full speed) and Serial(RS232C)		
Cutter	Full cut		
Operating voltage	DC24V		
External dimensions	121.2(W) x 155.7(D) x 72(H)mm (without paper arm) 134.2(W) x 303.5(D) x 129.4(H)mm (with UPH-Arm200) 125.8(W) x 266.9(D) x 109.7(H)mm (with UPH-Arm150)		

NP-KV20 series / NP-KV30 series

High speed

Lock-free Cutter

Thick Paper

Ultra compact and high performance printer module with built-in control board

- **All in one, ultra compact printer module**
- Mechanism, auto-cutter, control board and interface are built-in.
- **High speed printing up to 200mm / sec.**
- Kiosk type models are equipped with 3-ways bracket which enables to change the installing position to the standard, the tilt and the vertical for variety of installations.

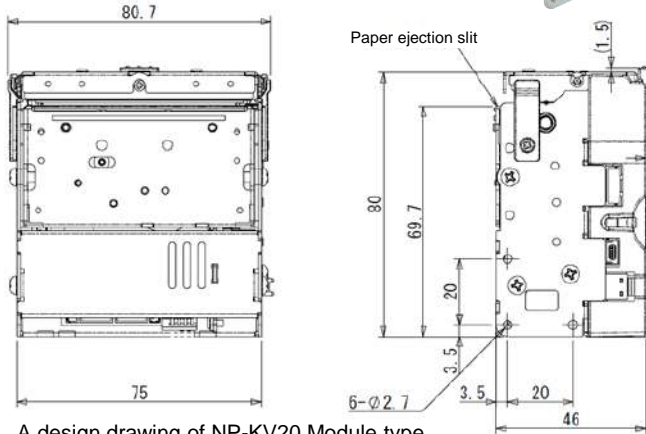
Module type

NP-KV20UM, NP-KV30UM
NP-KV20DM, NP-KV30DM
NP-KV20BM, NP-KV30BM



NP-KV20UM

NP-KV30UM



A design drawing of NP-KV20 Module type

NP-KV20 series (2 inch)

Model name	NP-KV20UM -KV20UK	NP-KV20DM -KV20DK	NP-KV20BM -KV20BK
Print method	Direct line thermal dot		
Print speed	Max.200mm / sec.		
Resolution	8 dots / mm (203 dpi)		
Number of dots / line	448 dots		
Paper width / Print width	58mm / 56mm		
Paper diameter	Max. φ90mm (for Kiosk Model), Max. φ250mm (option)		
Character	International, English, Polish, Russian, Scandinavian, Turkish, Japanese		
Barcode	UPC-A, UPC-E, EAN-13, EAN-8, CODE39, ITF, CODE93, CODABAR, CODE128, GS1 DataBar, QR code (model2), Linked QR code (model2), Micro QR code		
Interface	USB (V2.0 full speed)	USB (V2.0 full speed) Serial (RS232C)	USB (V2.0 full speed) Serial (RS232C) Bluetooth
Auto-cutter	Full cut and partial cut by the command		
Operating voltage	DC24V		
External dimensions	Module type : 86(W) x 46(D) x 80.7(H)mm Kiosk Type : 97.6(W) x 118(D) x 81.4(H)mm		

Kiosk type

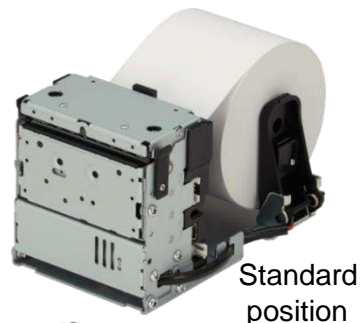
NP-KV20UK, NP-KV30UK
NP-KV20DK, NP-KV30DK
NP-KV20BK, NP-KV30BK



Kiosk type printers are equipped with 3-way bracket with a paper holder.

NP-KV30 series (3 inch)

Model name	NP-KV30UM -KV30UK	NP-KV30DM -KV30DK	NP-KV30BM -KV30BK
Print method	Direct line thermal dot		
Print speed	Max. 200mm / sec.		
Resolution	8 dots / mm (203 dpi)		
Number of dots / line	576 dots		
Paper width / Print width	80mm / 72mm		
Paper diameter	Max. φ90mm (for Kiosk Model), Max. φ250mm (option)		
Character	International, English, Polish, Russian, Scandinavian, Turkish, Japanese		
Barcode	UPC-A, UPC-E, EAN-13, EAN-8, CODE39, ITF, CODE93, CODABAR, CODE128, GS1 DataBar, QR code (model2), Linked QR code (model2), Micro QR code		
Interface	USB (V2.0 full speed)	USB (V2.0 full speed) Serial (RS232C)	USB (V2.0 full speed) Serial (RS232C) Bluetooth
Auto-cutter	Full cut and partial cut by command		
Operating voltage	DC24V		
External dimensions	Module type : 107(W) x 46(D) x 80.7(H)mm Kiosk Type : 119.6(W) x 118(D) x 81.4(H)mm		



Standard position



Tilt position



Vertical position

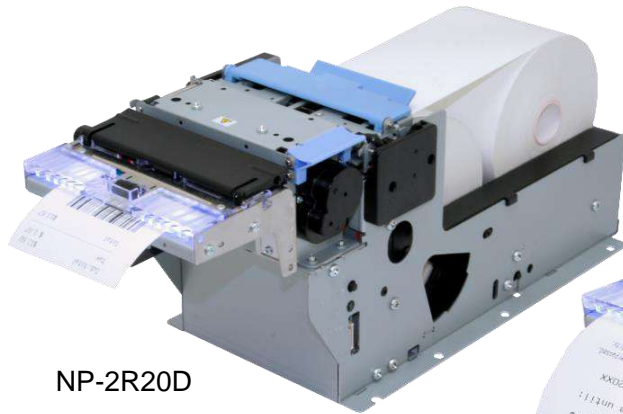
NP-2R20D / NP-2R30D

High speed

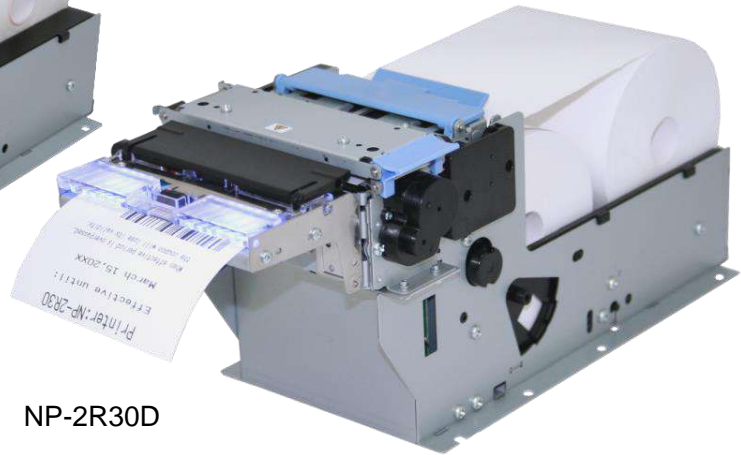
Lock-free Cutter

Endless receipt printer

- New concept, **endless receipt printer**
- **Automatic paper loading system** for the second roll paper.



NP-2R20D



NP-2R30D

Patent Pending



1.



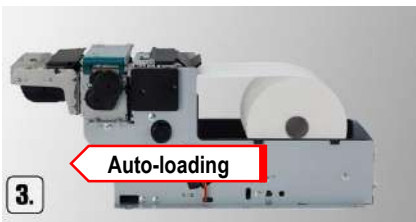
1st roll runs out.

2.



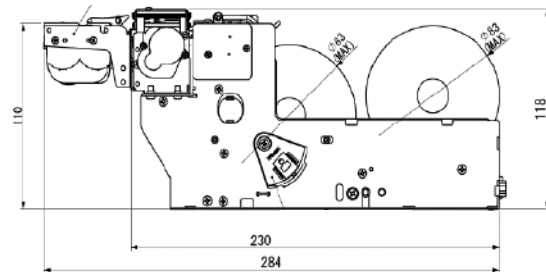
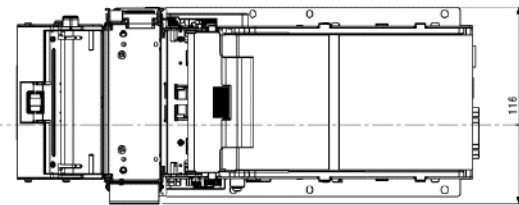
Setting a new roll

4.



Auto-loading

3.



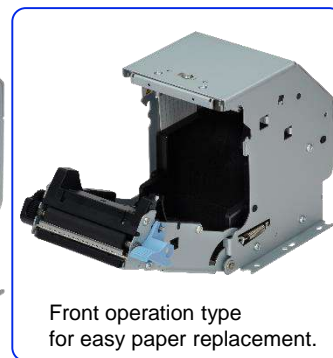
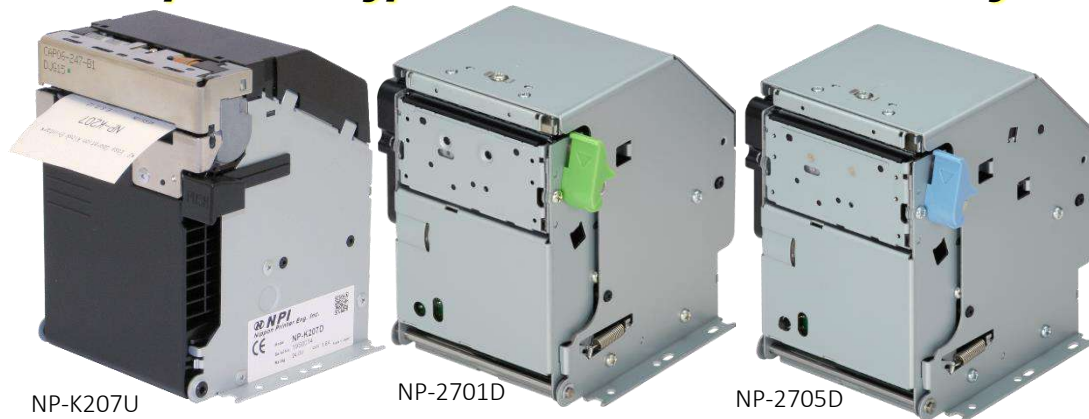
Model name	NP-2R20D	NP-2R30D
Print method	Direct line thermal dot	
Print speed	Max. 200mm / sec.	
Resolution	8 dots / mm (203 dpi)	
Number of dots / line	416 dots	576 dots
Paper width / Print width	58mm / 52mm (Max. 54mm by the command)	80mm / 72mm (Max. 78mm by the command)
Paper diameter	Max. $\phi 83\text{mm} \times 2$ (Only core-less roll paper is available.)	
Character	International, English, Greek, Polish, Russian, Scandinavian, Turkish, Chinese, Korean, Japanese	
Barcode	UPC-A, UPC-E, EAN-13, EAN-8, CODE39, ITF, CODABAR, CODE128, QR code (model2), PDF417	
Interface	USB (V2.0 full speed) and Serial (RS232C)	
Auto-cutter	Full cut and partial cut by the command	
Operating voltage	DC24V	
External dimensions	112(W) x 284(D) x 118(H)mm	116(W) x 284(D) x 118(H)mm

Receipt Printers (Front Operation Type)

NP-K207U **NEW MODEL** NP-2701D / NP-2705D

Front operation Lock-free Cutter High speed

Front operation type Kiosk Printer with low body



NP-K207U

NP-2701D

NP-2705D

Model name	NP-K207U	NP-2705D	NP-2701D
Print method	Direct line thermal dot		
Print speed	Max. 150mm / sec.	Max. 250mm / sec.	Max. 170mm / sec.
Resolution	8 dots / mm (203 dpi)		
Gray scale printing	N/A	16 gray scale	N/A
Number of dots / line	432 dots		
Paper width	58mm		
Print width	54mm		
Paper diameter	Max. φ83mm		
Character	International, English, Greek, Polish, Russian, Scandinavian, Turkish, Korean	International, English, Greek, Polish, Russian, Scandinavian, Turkish, Chinese, Korean	International, English, Polish, Russian, Scandinavian, Turkish
Barcode	UPC-A, UPC-E, EAN-13, EAN-8, CODE39, CODE93, ITF, CODABAR, CODE128, QR Code (model2), PDF417, Linked QR Code (model2), Micro QR code,	UPC-A, UPC-E, EAN-13, EAN-8, CODE39, CODE93, ITF, CODABAR, CODE128, QR Code (model2), PDF417	UPC-A, UPC-E, EAN-13, EAN-8, CODE39, ITF, CODABAR, CODE128, QR code (model2)
Interface	USB (V2.0 full speed)	USB (V2.0 full speed) and Serial (RS232C)	
Cutter	Full cut and partial cut by the command		
Operating voltage	DC24V		
External dimensions	105.3(W) x 94.3(D) x 121.6(H)mm	100(W) x 112(D) x 120(H)mm	

Ticket Printers

NP-3512D / NP-3513D

Models for dedicated use of fanfold paper

- Paper thickness up to 150μm
- Operating temperature : -20°C ~ 60°C
- Short depth design : 150mm in depth (NP-3513D)
- Optional LED Bezel (BEZ-332) is attachable.

Fanfold

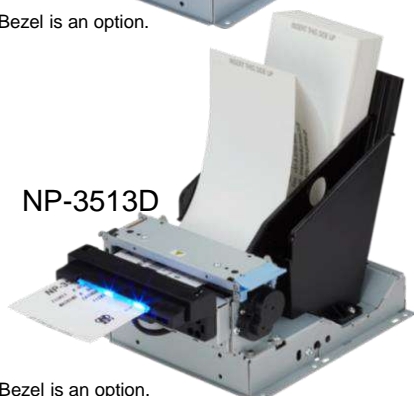
Lock-free Cutter

Thick Paper



*LED Bezel is an option.

NP-3513D



Model name	NP-3512D			NP-3513D		
Print method	Direct line thermal dot					
Print speed	Max. 200mm / sec.					
Resolution	8 dots / mm (203 dpi)					
Number of dots / line	576 dots	560 dots	480 dots	576 dots	560 dots	480 dots
Paper width	80mm	76mm	65mm	80mm	76mm	65mm
Print width	72mm	70mm	60mm	72mm	70mm	60mm
Paper length	4 inch, 5 inch, 156mm, 165mm			4 inch, 5 inch, 156mm, 165mm		
Paper thickness	100 ~ 150μm					
Character	English, Greek, Polish, Russian, Scandinavian, Turkish, Chinese, Korean					
Barcode	UPC-A, UPC-E, EAN-13, EAN-8, CODE39, ITF, CODABAR, CODE128					
Interface	USB (V2.0 full speed) and Serial (RS232C)					
Cutter	Full cut / partial cut or manual tearing-off					
Operating voltage	DC24V					
Stacker specs	Paper quantity : 300 sheets			Paper quantity : 400 sheets		
External dimensions	127(W) x 232(D) x 82(H)mm			127(W) x 163.3(D) x 146(H)mm		

*LED Bezel is an option.

NP-F2092D NP-F3092D

(formerly named as NP-K209)

10 different paper positions are possible.

Lock-free Cutter



NP-F2092D

NP-F3092D

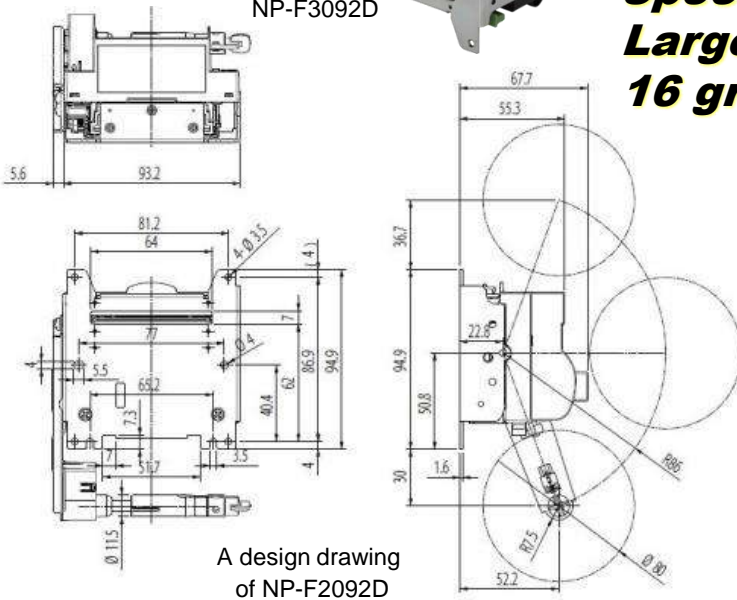
NP-F3692D

High speed

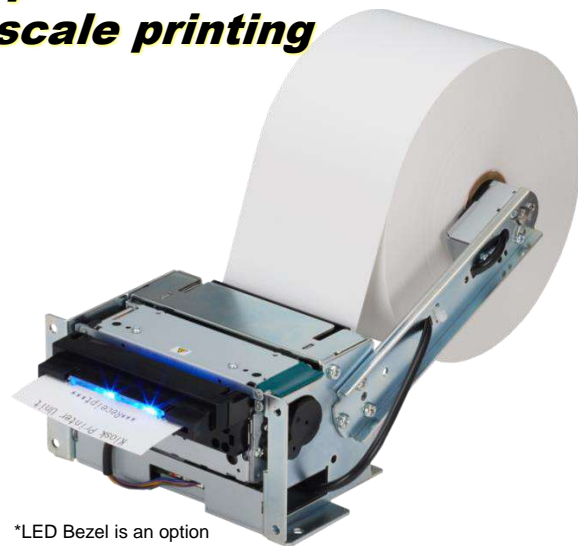
Lock-free Cutter

Thick Paper

Speed 250mm/sec. Large paper holder 16 gray scale printing



A design drawing of NP-F2092D

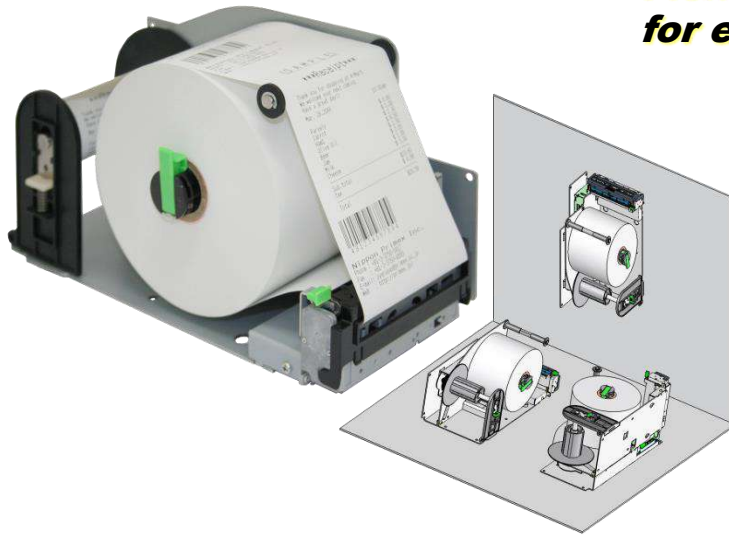


*LED Bezel is an option

Model name	NP-F2092D	NP-F3092D	NP-F3692D	
Print Method	Direct line thermal dot			
Print Speed	Max.100mm / sec.	Max.150mm / sec.	Max.250mm / sec.	
Resolution	8 dots / mm (203 dpi)			
Number of dots / line	384 dots	576 dots	576 dots (Default)	640 dots
Paper width	58mm		80mm	
Print width	48mm	72mm	72mm (Default)	80mm (Max.)
Paper Diameter	Max. φ80mm	Max. φ120mm	Max. φ150mm	
Character	English, Polish, Russian, Scandinavian, Turkish ,Japanese		International, English, Greek, Polish, Russian, Scandinavian, Turkish, Chinese, Korean, Japanese	
Barcode	UPC-A, UPC-E, EAN-13, EAN-8, CODE39, ITF, CODABAR, CODE128, CODE93, GS1 DataBar, QR Code (model2)		UPC-A, UPC-E, EAN-13, EAN-8, CODE39, ITF, CODABAR, CODE128, CODE93, GS1 DataBar, PDF417, QR Code (model2)	
Interface	USB (V2.0 full speed) and Serial (RS232C)			
Cutter	Full cut and partial cut by the command			
Operating voltage	DC12V		DC24V	
External dimensions	98.8(W) x 67.7(D) x 132.4(H)mm (at the shipping)	122.2(W) x 97.6(D) X 160.8(H)mm (at the shipping)	139.6(W) x 203(D) x 110(H)mm (at the shipping)	

NP-J312D

**Large paper holder up to 120 mm O.D.
Flexible 3 mounting positions
for easy installation**



Model name	NP-J312D
Print method	Direct line thermal dot
Print speed	Max. 100 mm / sec
Resolution	8 dots / mm (203 dpi)
Number of dots / line	576 dots
Paper width	80mm
Print width	72mm
Paper diameter	Max. ϕ 120mm
Character	International, English, Polish, Russian, Scandinavian, Turkish, Japanese
Barcode	UPC-A, UPC-E, EAN-13, EAN-8, CODE39, ITF, CODABAR, CODE128, CODE93, QR Code (model2)
Interface	USB (V2.0 FULL SPEED) and Serial (RS232C)
Operating voltage	DC24V
External dimensions	124.1(W) x 271.9(D) x 137.6(H)mm

NP-2551D / NP-3551D

High speed



**Stable paper winding structure with
2 flanges at both sides.**

Model name	NP-2551D		NP-3551D	
Print method	Direct line thermal dot			
Print speed	Max. 150 mm / sec			
Resolution	8 dots / mm (203 dpi)			
Number of dots / line	416 dots (Default)	448 dots (Option)	576 dots (Default)	640 dots (Option)
Paper width	58mm (Default)	60mm (Option)	80mm (Default)	76mm (Option)
Print width	52mm (Default)	56mm (Option)	72mm (Default)	80mm (Option)
Paper diameter	Max. ϕ 83mm			
Character	International, English, Greek, Polish, Russian, Scandinavian, Turkish, Chinese, Korean, Japanese			
Barcode	UPC-A, UPC-E, EAN-13, EAN-8, CODE39, ITF, CODABAR, CODE128			
Interface	USB (V2.0 FULL SPEED) and Serial (RS232C)			
Operating voltage	DC24V			
External dimensions	110(W) x 241(D) x 110(H)mm		131(W) x 241(D) x 110(H)mm	

Mechanisms & Control Boards

Revolutionary new printer engine (Free from paper jam)

Model name	NP-K2510A-2	NP-K3510A-2	NP-E2042M	NP-E205	NP-E305
Mechanism					
Control board Flat cable					
Operating voltage	DC24V		DC12V	DC24V	
Paper width	58mm (Default), 60mm	80mm (Default), 65mm, 76mm, 82.5mm	58mm	58mm	80mm
Print width	52mm (Default), 54mm, 56mm	72mm (Default), 59mm, 70mm, 80mm	48mm	54mm	72mm
Total dots	448dots	640dots	384dots	432dots	576dots
Print speed	Max.200mm / sec.		Max. 100mm / sec.	Max. 150mm / sec.	
Auto-cutter	V-blade cutting system				
Paper thickness	59 ~ 150 μ m		59 ~ 75 μ m		
Dimension	94.8(W) x 46.8(D) x 49.4(H)mm (including guide)	115.8(W) x 46.8(D) x 49.4(H)mm (including guide)	81.2(W) x 40.0(D) x 21.6(H)mm	81.2(W) x 40.0(D) x 21.6(H)mm	101.2(W) x 40.0(D) x 21.6(H)mm
Reliability	150km, 1.5million cuts		50km, 0.5million cuts	100km, 1.0million cuts	

NP-P2061M / NP-P2062M

- Fully upward compatible with NP-2021/2025 series
- Same external dimension as NP-2021 even with auto cutter (P2062M)



NP-P2061M-AW



NP-P2062M-BW



NP-P20AR

NP-P2081D

- Super low price
- Super compact panel printer
- Color can be selected from two colors (-W:White, -B:Black).



NP-P2081D-W



NP-P2081D-B

Model name	NP-P2061M-AW NP-P2062M-AW	NP-P2061M-BW NP-P2062M-BW	NP-P20AR	NP-P2081D-W / NP-P2081D-B
Print method	Direct line thermal dot			
Print speed	Max. 100 mm / sec (DC8.5V)		Max. 75 mm / sec	
Resolution	8dots / mm (203dpi)			
Number of dots / line	384 dots			
Paper width	58mm			
Print width	48mm			
Paper diameter	Max. φ50 mm			Max. φ40mm
Character	English, Polish, Russian, Scandinavian, Turkish			
Barcode	UPC-A, UPC-E, EAN-13, EAN-8, CODE39, ITF, CODABAR, CODE128, CODE93, GS1 DataBar, QR Code (model2)		UPC-A, UPC-E, EAN-13, EAN-8, CODE39, ITF, CODABAR, CODE128, CODE93	UPC-A, UPC-E, EAN-13, EAN-8, CODE39, ITF, CODABAR, CODE128, QR Code (model2)
Interface	Parallel(Centronics),Serial(RS232C), and USB(V2.0 Full Speed)		Serial (RS232C)	USB (V2.0 full speed) and Serial (RS232C)
Cutter	NP-P2061M-AW/-BW : Tear bar		-	Tear bar
	NP-P2062M-AW/-BW : Auto Cutter			
Operating voltage	DC5V ~ 8.5V		DC5 ~ 8.5V, DC3.3V (circuit voltage)	DC5V ~ 9V
External dimensions	101(W) x 66(D) x 116(H)mm	96(W) x 66(D) x 111(H)mm	77.7(W) x 105.1(D) x 49.5(H)mm (Horizontal setting only)	79.5(W) x 67.4(D) x 77.0(H)mm

Options Presenter

Extending the printers' potential to meet specific requirements for ATMs and payment Kiosks.

NPT-308L



NPT-308LL



NPT-409



Model name	NPT-308L	NPT-308LL	NPT-409
Paper width / Thickness	Width : 58 ~ 80mm / Thickness : 59 ~ 105µm		Width : 112mm / Thickness : 59 ~ 130µm
Transferable paper length	60 ~ 250mm		
Transfer speed	Approx. 300mm/sec.		Approx. 260mm/sec.
Paper eject mode	Clamp mode / Retraction mode		
Operating voltage	DC24V		
LED color	Blue / Red		
External dimensions	98.7(W) x 59.0(D) x 42.3(H)mm	98.7(W) x 77.4(D) x 42.3(H)mm	143(W) x 62.1(D) x 52.9 (H)mm
Available printer models	NP-2511D-3, -2611AD, -2611BD, -3511D-3, -3611AD, -3611BD, -3911D, -3911E, -3A11UK -KV20DM, -KV20DK, -KV20BM, -KV20BK -KV30DM, -KV30DK, -KV30BM, -KV30BK	NP-3911D, -3911E, -3A11UK	NP-4511D

Bezel

LED Bezel

BEZ-320



BEZ-330



Model name	BEZ-320	BEZ-330	BEZ-332
Available models	NP-2411D, -2511D, -2611AD/BD, -KV20DM/DK, -KV20BM/BK	NP-3411D, -3511D, -3611AD/BD, -F3692D, -3911D/E -3C11D, -KV30DM/DK, -KV30BM/BK	NP-3512D, -3513D
LED color	Blue / Red		

Simple Bezel

BEZ-220/-221



BEZ-230/-231



BEZ-240/-241



Model name	BEZ-220	BEZ-221	BEZ-230	BEZ-231	BEZ-240	BEZ-241
Paper detection sensor	None	Yes	None	Yes	None	Yes
Available models	NP-2411D, -2511D, -2611AD, -2611BD, -2701D, -2705D		NP-3411D, -3511D, -3611D, -F3692D, -3911D/E -3C11D		NP-4511D	
	NP-KV20 series	NP-KV20DM, -KV20DK, -KV20BM, -KV20BK	NP-KV30 series	NP-KV30DM, -KV30DK, -KV30BM, -KV30BK		

Simple Bezel

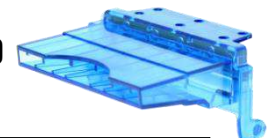
BEZ-420



BEZ-430



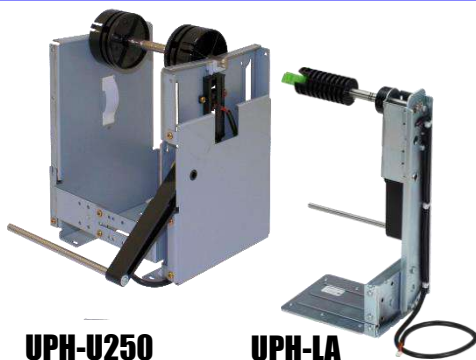
BEZ-520



Model name	BEZ-420 (without Paper sensor)	BEZ-430 (without Paper sensor)	BEZ-520 (without Paper sensor)
Available models	NP-F2092D	NP-F3092D	NP-K2042D, -K2052D

Options

Paper holder / Paper arm



UPH-U250

UPH-LA



PH-8L

PH-10

Model name	UPH-U250
Paper width	58mm / 60mm / 80mm / 85mm / 112mm
Max. Roll Paper Diameter	250mm
Inner diameter of paper core	1 inch, 2 inch, 3 inch
Available printer models	NP-2611AD/BD, -2511D, -2411D, -KV20 series NP-3611, -3511, -3411, -KV30 series, -3911D/E, -3A11U, -3B11D, -4511D

Model name	UPH-LA	UPH-Arm150 UPH-Arm200	PH-10	PH-8L
Paper width	58mm / 60mm / 80mm	80mm	30 ~ 82.5mm	58 ~ 80mm
Max. Roll Paper Diameter	150mm / 200mm		83mm	
Diameter of paper core	Outer : 33.4mm, Inner : 25.4mm		Outer : 18mm, Inner : 12mm	
Available printer model	NP-2411D, -2511D, -3411D -3511D, -3911D/E, -3B11U* ¹ -KV20/30 series	NP-G30D	NP-2411D, -2511D, -3411D, -3511D* ² -KV20/30 series* ³	NP-2511D -3511D* ²

*1: Paper thickness must be less than 120µm.

*2: PH-8L is standard for NP-3511D.

*3: PH-10 is standard for NP-2411D, -3411D, -2511D, -2611DA, -3611D, -KV20UK, -KV20DK, -KV20BK, -KV30UK, -KV30DK, -KV30BK, etc.

Power Supply

PS11-X, PS11-X2, PS11-X3

PS13



Model name	PS11-x	PS11-x2	PS11-x3* ¹	PS13
Input voltage	AC100V ~ 240V			
Output voltage	DC24V			DC8.5V
Output current	2.71A			3.52A
DC output cable connector	3 pin	2 pin		DC φ5.5 x φ2.1
External dimensions	53(W) x 114(D) x 38(H)mm			50(W) x 99(D) x 33(H)mm

*1: PS11-x3 has connector for reverse connecting protection.

NPI Easy Print

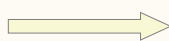
NPI Easy Print provides an integrated environment for GUI image designer, image control SDK and printer management SDK for Windows.

This SDK reduces lot of cost, time and resources to develop your software controlling the printer fully.

NPI Easy Print is provided to customers who already have purchased NP printers upon request.

The merit of NPI Easy Print

Labor reduction for software development



Reducing development costs !

(Example) Print image with 90 degrees rotated barcode image.

Without NPI Easy Print

- *Device context creation,
- *Drawing image,
- *Barcode creation/composition,
- *Image rotation,
- *Printing functions, etc....

⇒ Approx. 1000 lines of code are required.

With NPI Easy Print

```
//PFDFile(NII EasyPrintprintingLayoutLoading)
NiiReadInfo("D:¥¥EasyPrint¥¥NIIEasyPrint.PFD");
//PrintingFormat1withPrinter1
NiiImagePrintEpW(L"Printer1", L"Format1", false, &hjid);
```

⇒ It can be realized by only 2 lines!!

Printer Driver and Library

The following drivers and libraries can be downloaded from NIPPON PRIMEX website.

- Integration Driver for Windows 7, 8, 8.1 and 10
- Libraries for Linux, Raspberry Pi, Android, iOS and Windows

NEX-M2302B

Desktop

Mobile



Bluetooth

Made for iPod iPhone iPad



Built-in auto cutter
Sophisticated design
Long-life battery drive

- Dual interface (USB 2.0 / Bluetooth)
- Drivers and SDK for Windows, iOS and Android
- Bluetooth for iOS (MFi is acquired.)



Bluetooth connection

Tablet computer
Smartphone
(iOS, Android OS)

Color variations are optional.



Model name	NEX-M2302B
Print method	Direct line thermal dot
Print speed	Max. 100mm / sec. (DC8.5V)
Resolution	8dots / mm (203dpi)
Number of dots / line	384 dots (Default)
Paper width	58mm (Default)
Print width	48mm (Default)
Paper diameter	Max. ϕ 50mm
Barcode	UPC-A, UPC-E, EAN-13, EAN-8, CODE39, CODE93, CODE128, ITF, CODABAR, GS1 Data Bar, QR Code (model2), PDF417
Interface	Bluetooth (V2.1+EDR), USB (V2.0 full speed)
Cutter	Full cut and partial cut (by the memory switch)
Character	International, English, Polish, Russian, Scandinavian, Turkish, Japanese
Options	Power Supply (PS13), Lithium-ion battery (NBP-225B), Battery Charger, Carrying case
External dimensions	91(W) x 148.5(D) x 63.5(H)mm

NEX-M3302W / NEX-M3302B

Desktop

Mobile

Mega font



Bluetooth



Black color is optional.



Built-in auto cutter
Sophisticated design
Long-life battery drive

- M3302W is wireless LAN model.
- M3302B is Bluetooth model.

Model name	NEX-M3302W	NEX-M3302B
Print method	Direct line thermal dot	
Print speed	Max. 100mm / sec. (DC8.5V)	
Resolution	8dots / mm (203dpi)	
Number of dots / line	576 dots (Default)	
Paper width	80mm (Default)	
Print width	72mm (Default)	
Paper diameter	Max. ϕ 50mm	
Barcode	UPC-A, UPC-E, EAN-13, EAN-8, CODE39, CODE93, CODE128, ITF, CODABAR, GS1 Data Bar, QR Code (model2), PDF417	
Interface	Wireless LAN (IEEE802.11a/b/g/n), USB (V2.0 full speed)	Bluetooth (V2.1+EDR), USB (V2.0 full speed)
Cutter	Partial cut	
Character	International, English, Polish, Russian, Scandinavian, Turkish, Korean, Japanese	
Options	Power Supply (PS13), Lithium-ion battery (NBP-225B)	
External dimensions	112(W) x 151.5(D) x 59(H)mm	

NEX-C200 series

Desktop

 **Bluetooth**® (Only NEX-C200B/BL)



Liner-less label models (NEX-C200BL/-C200UL/-C200RL) are also available. Please contact us.

NEX-C202R

Desktop



- Super compact and low price
- Low body : Height 44.2mm
- Supporting horizontal mount and wall mount



Model name	NEX-C200B	NEX-C200U	NEX-C200R	NEX-C202R
Print method	Direct line thermal dot			
Print speed	Max.100mm / sec. (DC9.0V)			
Resolution	8 dots / mm (203 dpi)			
Number of dots / line	384 dots			
Paper width	58 mm			
Print width	48 mm			
Paper diameter	Max. φ50mm			Max.φ30mm
Character	International, English, Polish, Russian, Scandinavian, Turkish, Korea*1			
Barcode	UPC-A, UPC-E, EAN-13, EAN-8, CODE39, ITF, CODABAR, CODE128, QR Code (model2), Linked QR code (model2)*1, Micro QR code*1			
Interface	Bluetooth(V2.1+EDR), USB(V2.0 full speed)	USB (V2.0 full speed)	Serial (RS232C)	
Cutter	Tear bar			
Operating voltage	DC9.0V (A dedicated power supply is included.)			
External dimensions	78(W) x 112(D) x 59(H)mm			87(W) x 127.2(D) x 42.2(H)mm

*1 Only available for NEX-C200B/-C200BL.

NEX-T3202U / NEX-T3202R

Mega font Desktop

- Throughput enhancement by compressing the data
- Supporting horizontal-mount and wall-mount



Black color is optional.

NP-T2002UH

NP-T2001D / NP-T2002D

Desktop

- “Drop-in” type realizing easy roll paper replacement
- Supporting horizontal-mount and wall-mount
- Compact and Light weight



Black color is optional.

NEW MODEL

NEX-T2011D / NEX-T2012D

Desktop



- Simple and smart design
- “Drop-in” type realizing easy roll paper replacement
- Supporting horizontal-mount and wall-mount



Model name	NEX-T3202U / NEX-T3202R				NP-T2002UH	NP-T2002D / NP-T2001D	NEX-T2012D / NEX-T2011D
Print method	Direct line thermal dot						
Print speed	Max. 200mm / sec.				Max. 150mm / sec.	Max. 90mm / sec.	
Resolution	8 dots / mm (203 dpi)						
Gray scale printing	Substantial 8 gray scale printing				None		
Number of dots / line	576 dots (Default)	512 dots	432 dots	360 dots	432 dots	384 dots	
Paper width	80mm (Default)	80mm	58mm	58mm	58mm		
Print width	72mm (Default)	64mm	54mm	45mm	54mm	48mm	
Paper diameter	Max.φ83mm						
Character	USA, Standard Europe, Euro, Arabic, Thai, Eastern European, Cyrillic, Latin, Greek, Turkish				International, USA, Standard Europe, Euro, Arabic, Thai, Polish, Russian, Scandinavian, Greek, Turkish		
Barcode	UPC-A / E, EAN-13 / 8, CODE39, CODE93, ITF, CODABAR, CODE128, QR Code (model2), PDF417						
Interface	NEX-T3202U: USB(V2.0 full speed) NEX-T3202R: Serial (RS232C)				USB (V2.0 full speed)	USB (V2.0 full speed) and serial (RS232C)	
Cutter	Partial cut (a remaining uncut part at the center)				NP-T2002D: Partial cut NP-T2001D: Tear bar		NEX-T2012D: Partial cut NEX-T2011D: Tear bar
Operating voltage	DC24V (A dedicated power supply is included.)				DC8.5V (A dedicated power supply is included.)		
External dimensions	143(W) x 190(D) x 142(H)mm				89.5(W) x 175(D) x 113(H)mm		92(W) x 153.5(D) x 118.2(H)mm

Company Profile

Ever since its foundation in 1979, **NIPPON PRIMEX INC.** has achieved the position of top dealer of mini printers in the industrial peripheral equipment field in Japan.

A development and manufacturing department, **NIPPON PRINTER ENGINEERING INC.** was established in 1986. This department has provided high performance and reliable products both in hardware and software to our customers. In 2006, We enlarged and transferred it to the foot of Mt. Fuji. It became the largest mini-printer factory in the world. All printers of **NIPPON PRIMEX INC.** are designed and manufactured at this factory by skillful experts.

We continue developing the unique products which other companies do not offer. If you are looking for mini printers, please contact us **"overseas@primex.co.jp"**.



NIPPON PRIMEX INC.



NIPPON PRINTER ENGINEERING INC.

OEM products to meet your requirements completely

All products listed in this catalog are just examples.

We can customize our printer into an OEM product to meet your requirements completely.

Our clients are,

Canon, CASIO, COMOTA, DENSO, Diebold Nixdorf, DNP, Flextronics, Fujifilm, Fujitsu Frontech, GLORY, Hamag, Hitachi, IBM, JCM, Kodak, LAUREL PRECISION MACHINES, Mars Engineering, Mitsubishi Electric, Nabtesco, NAMCO, NEC, Omron, Panasonic, PFU, Sharp, SoftBank, Sysmex, Tatsuno, Teraoka Seiko, TESCO, Toshiba and others, more than 700 companies.

For most of these companies, we have customized the printers to provide OEM products.

Please contact us to overseas@primex.co.jp regarding your OEM products.

 **NIPPON PRIMEX INC.**

20210312 Rev.30.A4.0.2

1-5-12 Unoki, Ohta-ku Tokyo 146-8650 JAPAN

Tel : +81 3 3750 5817 **E-mail : overseas@primex.co.jp**
Fax : +81 3 3750 4555 **URL : <https://www.primex.jp>**

Manufactured by NIPPON PRINTER ENGINEERING INC.

Notice: All features and specifications described in this document are subject to change without prior notice.

Company and product names are trademarks or registered trademarks of their respective companies.